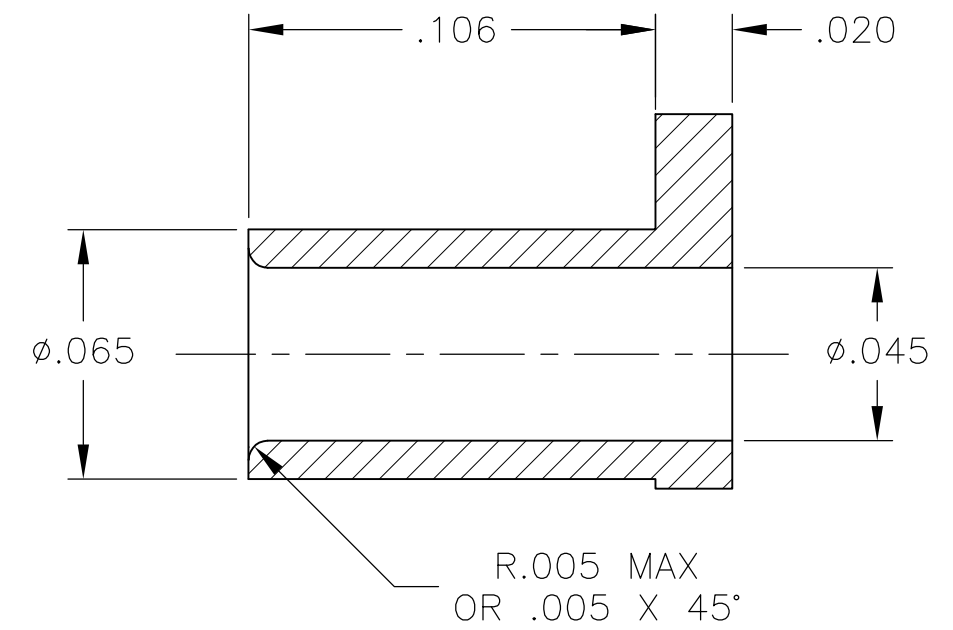
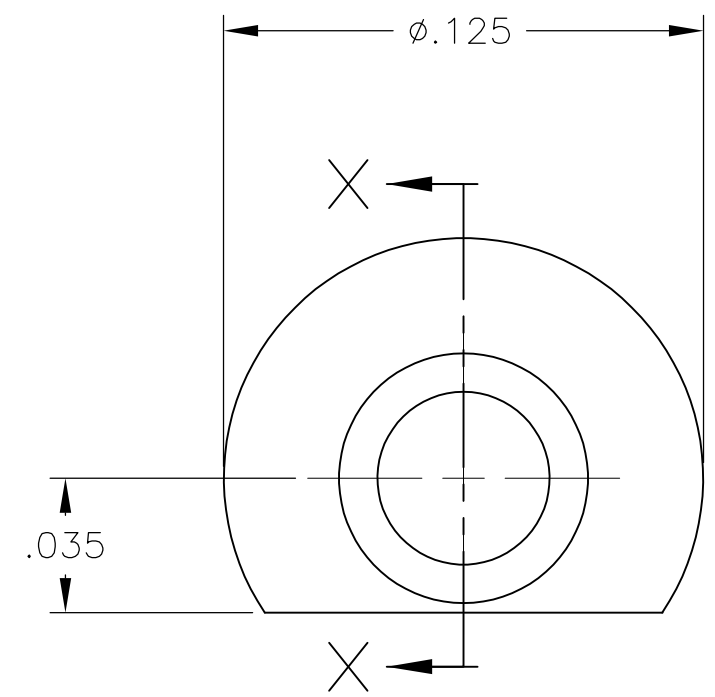


THIS DRAWING IS UNPUBLISHED. RELEASED FOR PUBLICATION  
 © COPYRIGHT - By - ALL RIGHTS RESERVED.

LOC		DIST		REVISIONS			
P	LTR	DESCRIPTION		DATE	DWN	APVD	
	C	REV PER ECO		11-015051	7-22-11	CT	DH



SECTION X-X

- 1 MATL: BRASS
- 2 FINISH: .000030 MIN NICKEL PLATED.

1	2	534164-2
AS SHOWN		534164-1
DESCRIPTION		PART NUMBER

THIS DRAWING IS A CONTROLLED DOCUMENT.		DWN T. THOMPSON	01-10-95	<b>STE</b> TE Connectivity	
DIMENSIONS: INCHES		CHK D. GUTTER	01-23-94		
		TOLERANCES UNLESS OTHERWISE SPECIFIED:		NAME	
		0 PLC ± - 1 PLC ± - 2 PLC ± - 3 PLC ± .005 4 PLC ± - ANGLES ± -		KEY, RIVET, MINI-BOX PIN HEADER CONNECTOR	
MATERIAL		FINISH		RESTRICTED TO	
-		-		-	
CUSTOMER DRAWING				WEIGHT	-
SCALE 20:1				SIZE	A3
SHEET 1 OF 1				CAGE CODE	00779
REV C				DRAWING NO	C-534164